
FnIO G – Series :

GT-1238

GT-1238(8 Channels, Universal Input Terminal, 24Vdc)

Date: 2016.03.25

Specification

Table of Contents

Table of Contents.....	2
History.....	3
1.ENVIRONMENT SPECIFICATION.....	4
2.GT-1238(8 Channels Universal Input Terminal).....	5
2.1.GT-1238 Specification	5
2.2.GT-1238 Wiring Diagram.....	6
2.3.GT-1238 LED Indicator.....	7
2.3.1.LED Indicator.....	7
2.3.2.Channel Status LED.....	7
2.3.3.Mapping data into the image table.....	8

History

REV.	PAGES	REMARKS	DATE	Editor
Preliminary		Preliminary	Mar 25, 2016	Park, Joonho
1.03		Environment Specification	Jun 3, 2016	DHLEE
1.05		Add missing content	July 17, 2017	HSKIM

Specification

1. ENVIRONMENT SPECIFICATION

Environment specification	
Operating Temperature	-40°C~70°C
UL Temperature	-20°C~60°C
Storage Temperature	-40°C~85°C
Relative Humidity	5% ~ 90% non-condensing
Mounting	DIN rail
General specification	
Shock Operating	IEC 60068-2-27
Vibration Resistance	Based on IEC 60068-2-6 Sine Vibration <ul style="list-style-type: none"> - 5 ~ 25Hz : ±1.6mm - 25 ~ 300Hz : 4g - Sweep Rate : 1 Oct/min, 20 cycles Random Vibration <ul style="list-style-type: none"> - 10 ~ 40 Hz : 0.0125 g²/Hz - 40 ~ 100 Hz : 0.0125 → 0.002 g²/Hz - 100 ~ 500 Hz : 0.002 g²/Hz - 500 ~ 2000 Hz : 0.002 → 1.3 x 10⁻⁴g²/Hz - Test time : 1hrs for each test
Industrial Emissions	EN61000-6-4/All : 2011
Industrial Immunity	EN 61000-6-2 : 2005
Installation Position	Vertical and horizontal installation is available.
Product Certifications	CE, UL

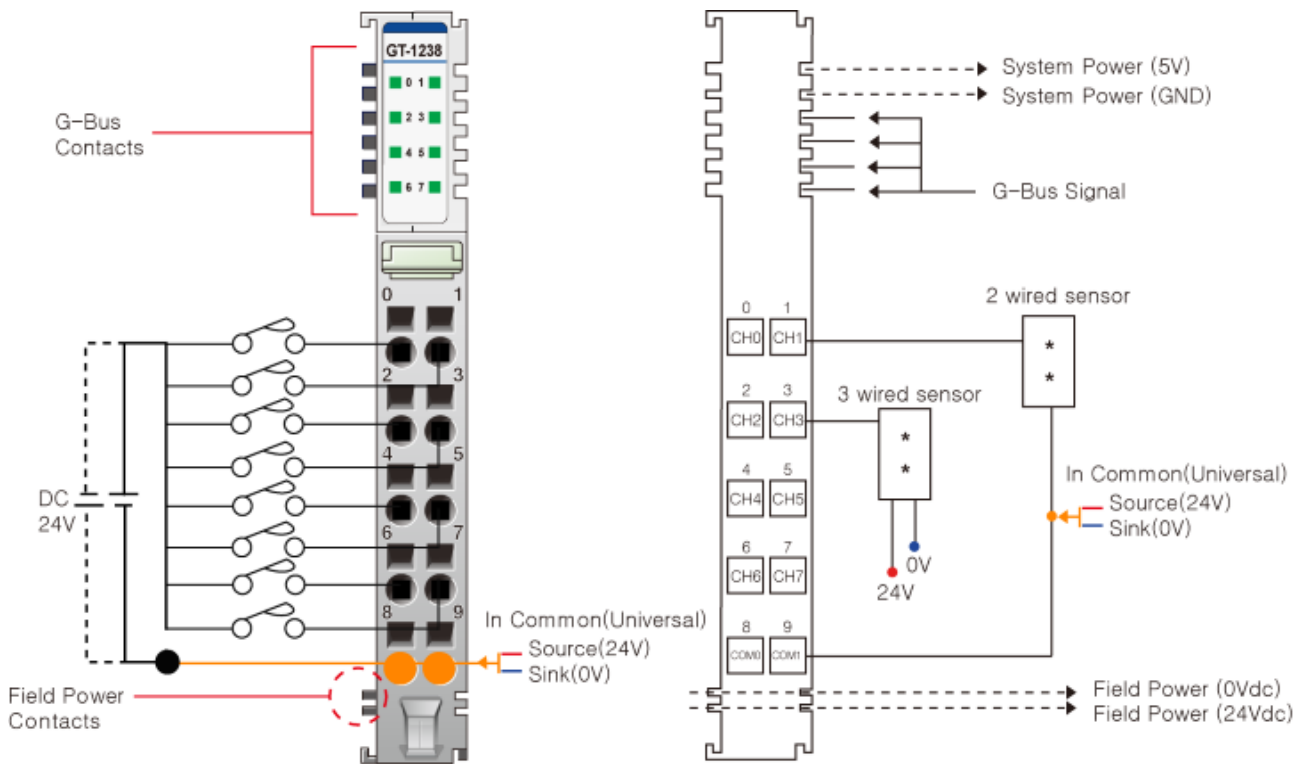
Specification

2. GT-1238 (8 Channels Universal Input Terminal)

2.1. GT-1238 Specification

Items	Specification
Input Specification	
Inputs per module	8 Points Universal type
Indicators	8 Green input state
ON-state Voltage	24V dc nominal Min. 15Vdc to Max. 32Vdc
OFF-state voltage	8.3Vdc @ 25°C
ON-state current	3.03mA maximum/point @32Vdc
Input Signal Delay	OFF to ON : 0.3ms Max ON to OFF : 0.3ms Max
Input filter	Adjustable, up to 10ms
Nominal Input Impedance	10.2K ohm typical
COMMON Type	8 points / External 2COM (Universal)
General specification	
Power dissipation	35mA maximum @ 5.0Vdc
Isolation	I/O to Logic : Photocoupler Isolation
Field Power	Supply voltage : 24Vdc nominal Voltage range : 15 to 32Vdc Power dissipation : 0mA @ 24Vdc
Wiring	I/O Cable Max. 2.0mm ² (AWG 14)
Weight	39g
Module Size	12mm x 99mm x 70mm
Environment Condition	Refer to '1. Environment Specification'

2.2. GT-1238 Wiring Diagram



Pin No.	Signal Description	Signal Description	Pin No.
0	Input Channel 0	Input Channel 1	1
2	Input Channel 2	Input Channel 3	3
4	Input Channel 4	Input Channel 5	5
6	Input Channel 6	Input Channel 7	7
8	Common(Sink Oper.0V/ Source Oper.24V)	Common(Sink Oper.0V/ Source Oper.24V)	9

Specification

2.3. GT-1238 LED Indicator

2.3.1. LED Indicator



LED No.	LED Function / Description	LED Color
0	INPUT Channel 0	Green
1	INPUT Channel 1	Green
2	INPUT Channel 2	Green
3	INPUT Channel 3	Green
4	INPUT Channel 4	Green
5	INPUT Channel 5	Green
6	INPUT Channel 6	Green
7	INPUT Channel 7	Green

2.3.2. Channel Status LED

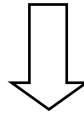
Status	LED	To indicate
Not Signal	Off	Normal Operation
On Signal	Green	Normal Operation

Specification

2.3.3. Mapping data into the image table

- **Input Module Data**

D7	D6	D5	D4	D3	D2	D1	D0
----	----	----	----	----	----	----	----



- **Input Image Value**

Bit No	Bit7	Bit6	Bit5	Bit4	Bit3	Bit2	Bit1	Bit0
Byte0	D7	D6	D5	D4	D3	D2	D1	D0

2.4. Parameter Data

- **Valid Parameter length: 2 Bytes**
- **Parameter Data**

Bit No	Bit7	Bit6	Bit5	Bit4	Bit3	Bit2	Bit1	Bit0
Byte0	Input Filter value : 0 ~ 10 (unit : ms)							
Byte1	Reserved							